

# Wiring Chart

Zone/Valve	Color Code	Pin Number
1	Solid Black	22
2	Solid White	23
3	Solid Red	24
4	Solid Green	25
5	Solid Orange	26
6	Solid Blue	27
7	White/Black	28
8	Red/Black	29
9	Green/Black	30
10	Orange/Black	31
11	Blue/Black	32
12	Black/White	33
13	Blue/Red	1
14	Red/Green	2
15	Orange/Green	3
16	Black/White & Red	4
17	White/Black & Red	5
18	Red/Black & White	6
19	Green/Black & White	7
20	Orange/Black & White	8
21	Blue/Black & White	9
22	Black/Red & Green	10
23	White/Red & Green	11
24	Red/Black & Green	12
25	Green/Black & Orange	13
26	Orange/Black & Green	14
27	Blue/White & Orange	15
28	Black/White & Orange	16
29	White/Red & Orange	17
30	Orange/White & Blue	18
31	White/Red & Blue	19
32	Black/White & Green	21
Valve Common	Orange/Red	37
Master Valve/Pump Start	Green/White	34
24 Volts AC	Blue/White	20



## Permanent Controller Connector

- 12 Station Connector
- 24 Station Connector
- 32 Station Connector

Standard Length 30"



800-275-8558

Made in the USA

# Wiring Chart

Zone/Valve	Color Code	Pin Number
1	Solid Black	22
2	Solid White	23
3	Solid Red	24
4	Solid Green	25
5	Solid Orange	26
6	Solid Blue	27
7	White/Black	28
8	Red/Black	29
9	Green/Black	30
10	Orange/Black	31
11	Blue/Black	32
12	Black/White	33
13	Blue/Red	1
14	Red/Green	2
15	Orange/Green	3
16	Black/White & Red	4
17	White/Black & Red	5
18	Red/Black & White	6
19	Green/Black & White	7
20	Orange/Black & White	8
21	Blue/Black & White	9
22	Black/Red & Green	10
23	White/Red & Green	11
24	Red/Black & Green	12
25	Green/Black & Orange	13
26	Orange/Black & Green	14
27	Blue/White & Orange	15
28	Black/White & Orange	16
29	White/Red & Orange	17
30	Orange/White & Blue	18
31	White/Red & Blue	19
32	Black/White & Green	21
Valve Common	Orange/Red	37
Master Valve/Pump Start	Green/White	34
24 Volts AC	Blue/White	20



## Permanent Controller Connector

- 12 Station Connector
- 24 Station Connector
- 32 Station Connector

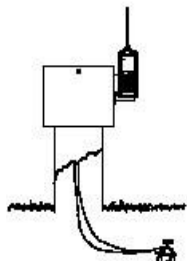
Standard Length 30"



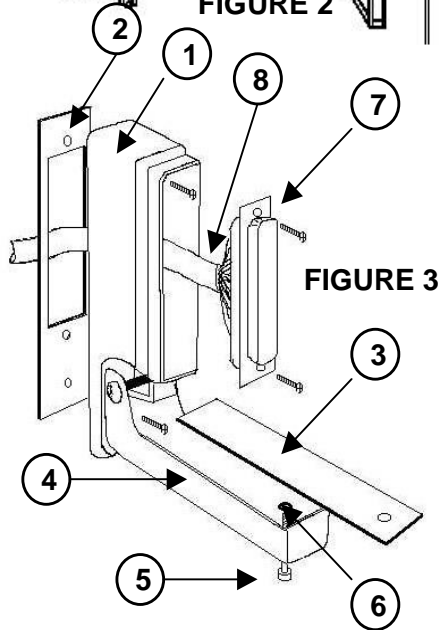
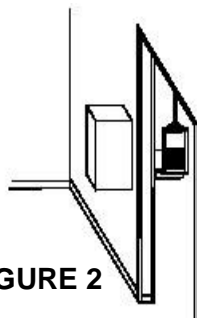
800-275-8558

Made in the USA

**FIGURE 1**



**FIGURE 2**



**FIGURE 3**

### Installation Instructions

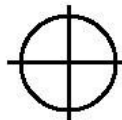
The housing can be mounted to the right side of the irrigation controller (Figure 1) or mounted to a wall (Figure 2)

1. Use Figure 4 as a pattern to locate the mounting holes to be drilled through the controller. Drill holes according to the diameters as shown.
2. Peel backing off gasket (2) and attach it to housing (1) as shown in figure 3.
3. Peel backing off gasket (3) and attach it to the inside of housing door (4) as shown in figure 3. **IMPORTANT:** For maximum seal, the gasket must fit snug against the sidewall of the housing door.
4. Insert 1" Allen head cap screw (5) through the hole in the housing door (4) as shown in figure 3. Slip on retainer ring (6) approximately 3/8" from the threaded end of the screw (5).
5. Mount the housing (1) to the irrigation controller using two 6-32 x 3/4 Machine screws, two flat washers, and two hex nuts. **NOTE:** Hardware is not provided to mount housing (1) to wood or sheetrock.
6. Attach the D-Subminiature connector (7) to the inside of the housing (1) with two 4-40 x 9/16 machine screws. First insert the loose wire end of the cable (8) through the 1/2" hole in the irrigation controller. **IMPORTANT:** Orient the D-Subminiature connector (7) to the inside of the housing (1) as shown in figure 3. If the orientation of the connector is not as shown in figure 3, the receiver will not plug in to the connector.
7. The connector is now ready to be wired to the terminal strip of the irrigation controller. Use the color chart provided on the other side of the page.

**IMPORTANT:** Care should be taken to prevent connecting any wires of the cable to 110 VAC this will result in damage to the receiver.

### Operating Instructions

Plug the receiver directly in the connector as shown in figure 1. When the receiver is not in use, close and secure the housing door (4) by tightening the Allen head screw with a 3-32" Allen wrench. **IMPORTANT:** Do not over torque the Allen head screw, it should be snug.



1/2" DIA

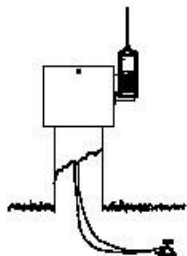
**FIGURE**

**4**

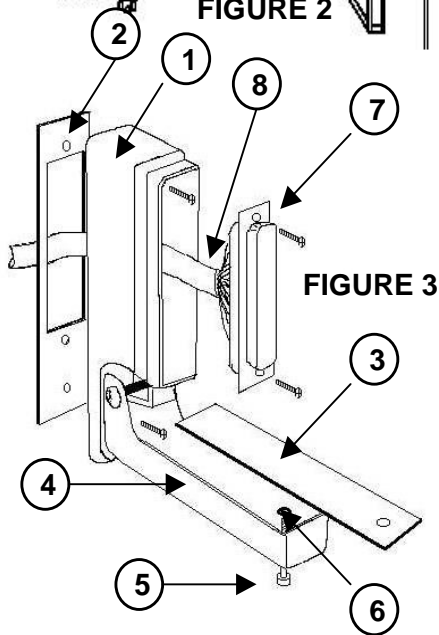
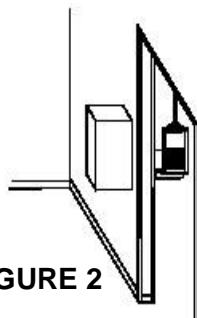


3/16" DIA

**FIGURE 1**



**FIGURE 2**



**FIGURE 3**

### Installation Instructions

The housing can be mounted to the right side of the Irrigation controller (Figure 1)  
Or mounted to a wall (Figure 2)

1. Use Figure 4 as a pattern to locate the mounting holes to be drilled through the controller. Drill holes according to the diameters as shown.
2. Peel backing off gasket (2) and attach it to housing (1) as shown in figure 3.
3. Peel backing off gasket (3) and attach it to the inside of housing door (4) as shown in figure 3. **IMPORTANT:** For maximum seal, the gasket must fit snug against the sidewall of the housing door.
4. Insert 1" Allen head cap screw (5) through the hole in the housing door (4) as shown in figure 3. Slip on retainer ring (6) approximately 3/8" from the threaded end of the screw (5).
5. Mount the housing (1) to the irrigation controller using two 6-32 x 3/4 Machine screws, two flat washers, and two hex nuts. **NOTE:** Hardware is not provided to mount housing (1) to wood or sheetrock.
6. Attach the D-Subminiature connector (7) to the inside of the housing (1) with two 4-40 x 9/16 machine screws. First insert the loose wire end of the cable (8) through the 1/2" hole in the irrigation controller. **IMPORTANT:** Orient the D-Subminiature connector (7) to the inside of the housing (1) as shown in figure 3. If the orientation of the connector is not as shown in figure 3, the receiver will not plug in to the connector.
7. The connector is now ready to be wired to the terminal strip of the irrigation controller. Use the color chart provided on the other side of the page.

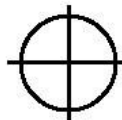
**IMPORTANT:** Care should be taken to prevent connecting any wires of the cable to 110 VAC this will result in damage to the receiver.

### Operating Instructions

Plug the receiver directly in the connector as shown in figure 1. When the receiver is not in use, close and secure the housing door (4) by tightening the Allen head screw with a 3-32" Allen wrench. **IMPORTANT:** Do not over torque the Allen head screw, it should be snug.



3/16" DIA



1/2" DIA

**FIGURE**

**4**



3/16" DIA